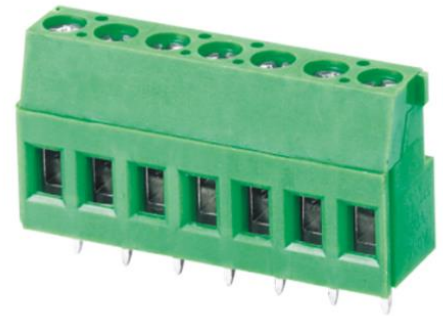


Terminal Block, Terminal

STB4040JH-5.08-XX

Description

The STB4040JV-5.08-XX is a screw-type connector with 5.08 mm pitch. The connector is available from 2 to 24 poles.



Typical applications

- Wire to Board
- Board to Wire



Features

Mechanical Properties	Description
Connector Type	DIP, single row
Orientation	Horizontal
Dimensions	(Nx5.08) 10.7 x 18.30 mm
Wire range	26~12 AWG
Operating Temperature Range	-40°C~+105°C
Pitch	5.08 mm
Poles	2 - 24 Poles
Housing	PA66, UL94V-0
Screw	Steel, Ni plated
Contact	Copper Alloy, Sn plated
Cage	Copper Alloy, Ni plated

Terminal Block, Terminal

STB4040JH-5.08-XX

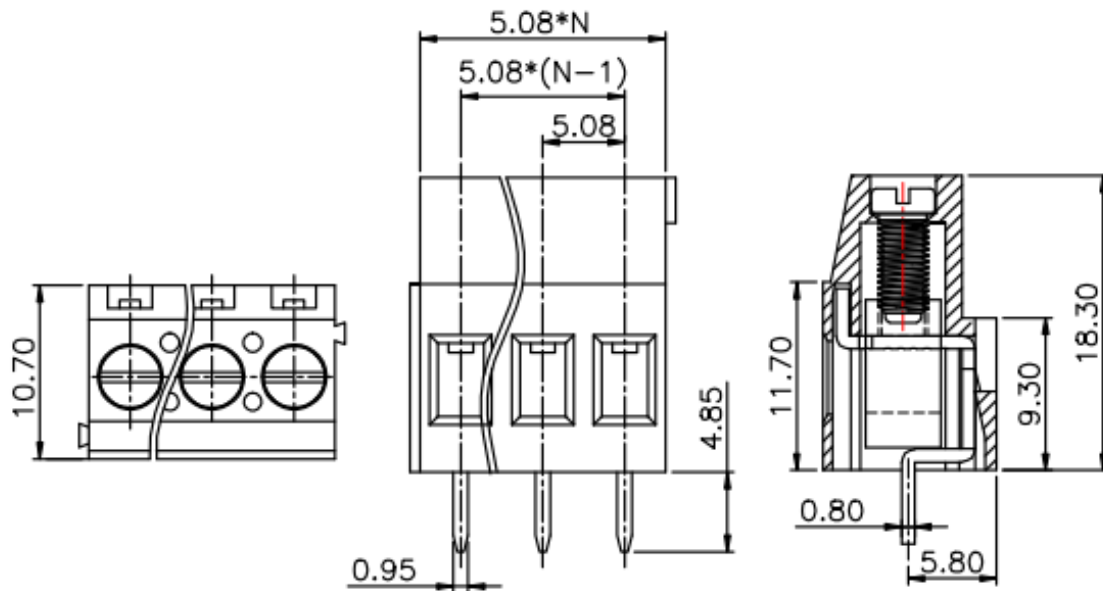
Electrical Properties

Description

Standard	UL	IEC
Rated Voltage	300V	250V
Rated Current	20 A	20A
Withstanding Voltage	2000V AC/Min	

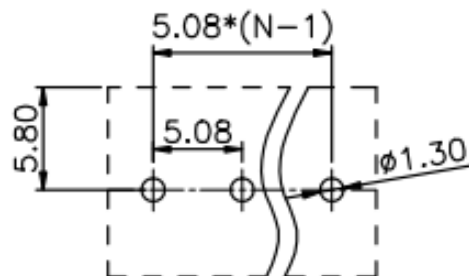
Dimensions

*unit: mm



PCB Footprint

*unit: mm



Terminal Block, Terminal

STB4040JH-5.08-XX

Pole	2	3	4	5	6	7	8	9	10	11	12	13
Length	10,2	15,2	20,3	25,4	30,5	35,6	40,6	45,7	50,8	55,9	61	66
Pitch	5,08	10,2	15,2	20,3	25,4	30,5	35,6	40,6	45,7	50,8	55,9	61

Pole	14	15	16	17	18	19	20	21	22	23	24
Length	71,1	76,2	81,2	86,4	91,4	96,5	101,6	106,7	111,8	116,8	121,9
Pitch	66	71,1	76,2	81,2	86,4	91,4	96,5	101,6	106,7	111,8	116,8

Part number

STB4040JX-XXX-XX

STB4040J	Style of connector
H	Horizontal
5,08	Pitch
XX	Poles 2,3,4,5,6,7,8, 9,10, 11,12, 13,14,15,16,17,18,19,20, 21,22,23,24

Ordering information

Ordering can be done via www.summit-electronics.com or via info@summit-electronics.com. Please contact us for more information. Customisation of the product is available on request.

Technical support

For all product questions please contact us via info@summit-electronics.com

Document revision

Rev	Date	Changes
V01.00	06-04-2023	First issue of document

Terminal Block, Terminal

STB4040JH-5.08-XX

